



## Main Features:-

- ◆ Reducing Socket
- ◆ Made of AISI 316
- ◆ BSP F-F (80421- NPT)
- ◆ Working Temperature -20 to + 220C \*
- ◆ Max. Working pressure 20 Bar

\*Temperature and pressure determined by valve body, seat etc.

## Suitable Applications & Approvals:



HVAC



OIL



GAS



INDUSTRY

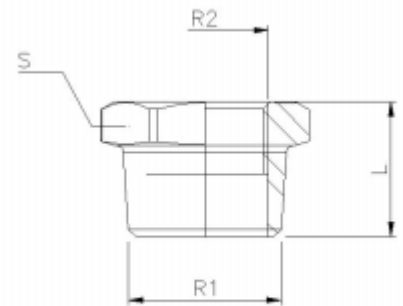


## SERIES: 80415

MANUFACTURER: **GENEBRE**

VALVE MATERIALS & DIMENSIONS

Ref	SIZE (R1xR2)	L	S
80415-50	1/4" x 1/8"	14.5	15
80415-51	3/8" x 1/4"	16	18
80415-52	1/2" x 1/4"	19.5	23
80415-53	1/2" x 3/8"	19.5	23
80415-54	3/4" x 3/8"	21	28
80415-55	3/4" x 1/2"	21	28
80415-56	1" x 1/2"	24	35
80415-57	1" x 3/4"	24	35
80415-58	1 1/4" x 3/4"	27	44
80415-59	1 1/4" x 1"	27	44
80415-60	1 1/2" x 1"	27	50
80415-61	1 1/2" x 1 1/4"	27	50
80415-62	2" x 1"	32	62
80415-63	2" x 1 1/4"	32	62
80415-64	2" x 1 1/2"	32	62
80415-65	2 1/2" x 2"	34	77
80415-66	3" x 2 1/2"	37.5	90



## ALLVALVES

Offering a full range of actuated valve packages, manual valve range, pipe fittings and pumps, we have a product for all your requirements. As an ISO 9001-2015 Quality Approved and certified company, All Valves offer a quality service from pre-sale to post sale. Shipping millions of pounds in value of manual valve and actuated valve packages all over the world since its formation, All Valves are a trusted valve and actuator supplier to many companies all over the world.



T +44 (0)1386 552369

E sales@allvalves.co.uk

W www.allvalves.co.uk

F +44 (0)1386 554227